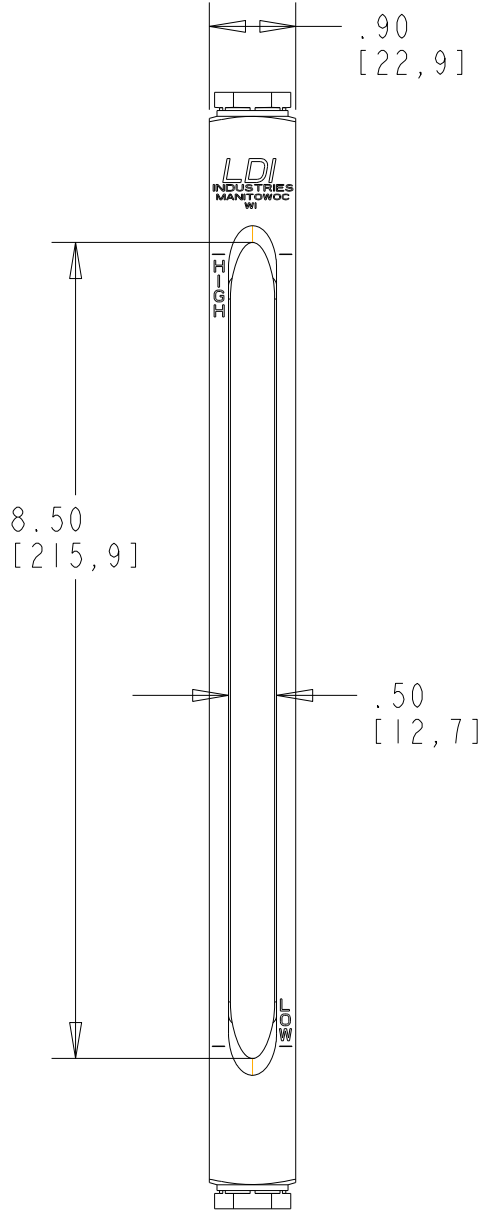
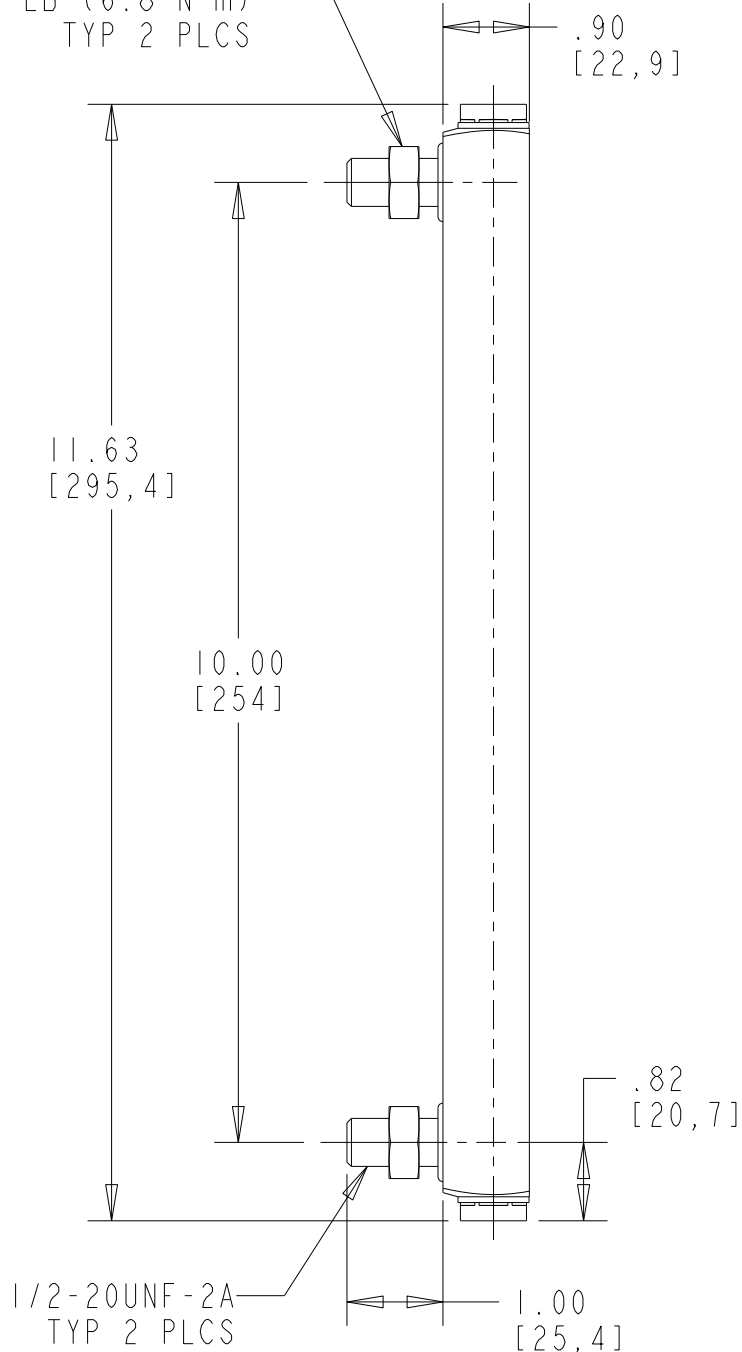


ALL DIMENSION ARE IN INCHES (mm) AND FOR REFERENCE ONLY

ZINC PLATED LOCKNUT
ASSEMBLY TORQUE
60 IN-LB (6.8 N-m)
TYP 2 PLCS



- NOTES:
1. ALUMINUM CONSTRUCTION
 2. BUNA N SEALS
 3. BOROSILICATE GLASS WITH REDLINE ON WHITE BACKGROUND
 4. 250°F (121.1°C) MAX TEMPERATURE
 5. 275 PSI (1.9 MPa) MAX PRESSURE @150°F (65.6°C) AND NO CORROSION

REV	DATE	ECN NO.	BY
-	-	-	-

MATL	SEE NOTES	TOLERANCES
MATL ITEM NO	-	UNLESS OTHERWISE SPECIFIED
MATL DESC	-	.XX ±
FINISH	NONE	.XXX ±
CUST NO	-	ALL RADII:
SIMILAR TO	-	ANGLES ±
NOM WT (LBS.)	0.772	SURFACE FIN.
RFQ NO	-	BRK CORNERS

THIS DOCUMENT CONTAINS INFORMATION PROPRIETARY TO LDI Industries, Inc. AND IS FURNISHED UPON THE EXPRESS CONDITION THAT THE INFORMATION CONTAINED HEREIN WILL NOT BE DISCLOSED TO ANY THIRD PARTY OR USED DIRECTLY OR INDIRECTLY IN ANY WAY DETRIMENTAL TO THE INTEREST OF LDI Industries, Inc.



TITLE **GAGE BMNT 10.00 AL F NBR**

DWG NO./ITEM NO. **G610-10-A-1_REF**

SCALE	1/2	DO NOT SCALE DRAWING	DRWN DMP	DATE	8/8/12	CHKD DMP	DATE	8/8/12	SHT	1/1	REV	-
-------	-----	----------------------	----------	------	--------	----------	------	--------	-----	-----	-----	---