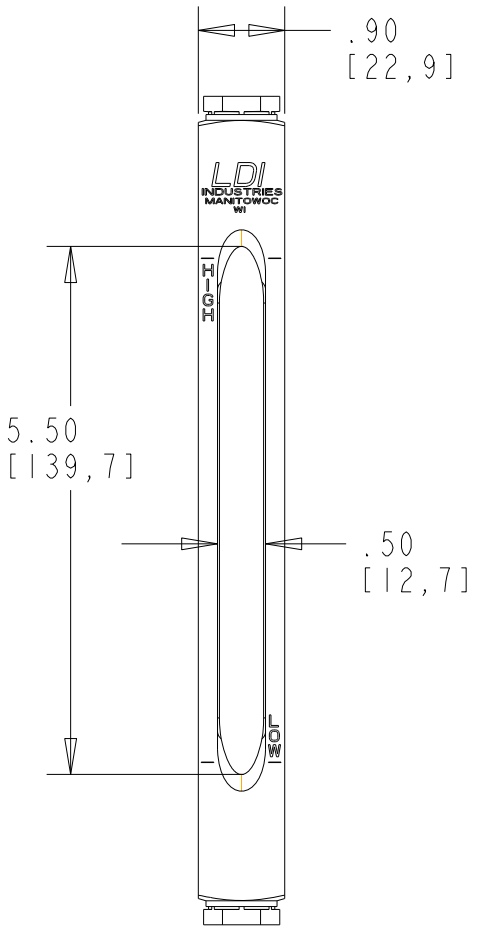
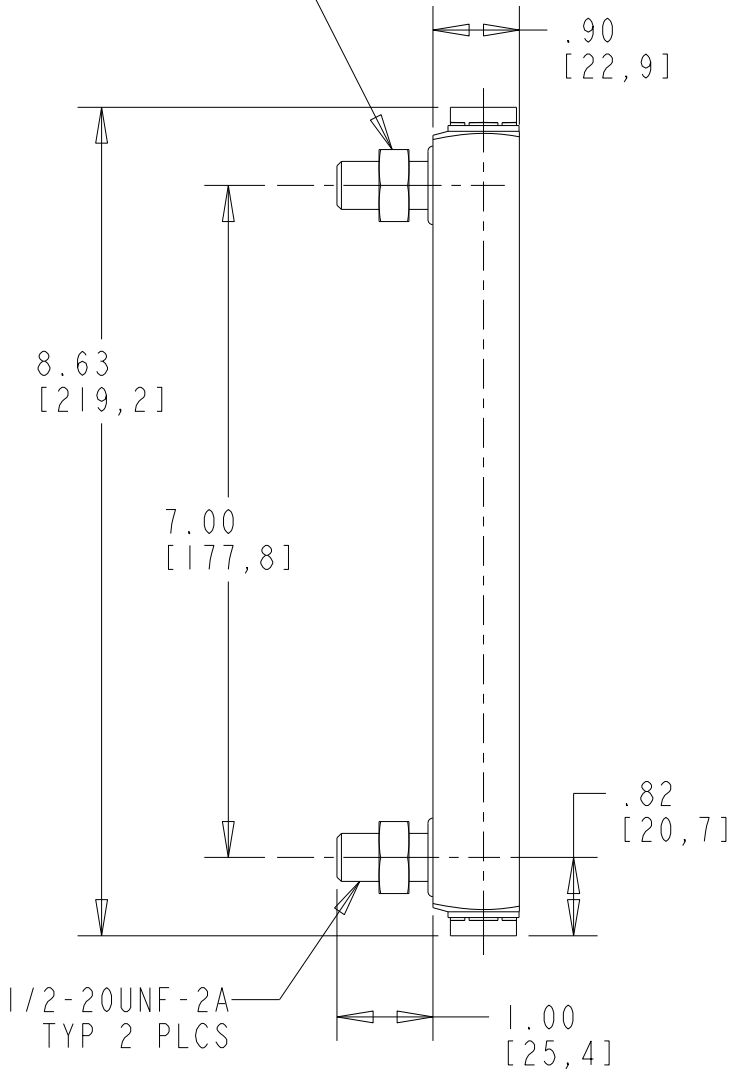


ALL DIMENSION ARE IN INCHES (mm) AND FOR REFERENCE ONLY

ZINC PLATED LOCKNUT  
ASSEMBLY TORQUE  
60 IN-LB (6.8 N-m)  
TYP 2 PLCS



- NOTES:
1. ALUMINUM CONSTRUCTION
  2. BUNA N SEALS
  3. BOROSILICATE GLASS WITH REDLINE ON WHITE BACKGROUND
  4. 250°F (121.1°C) MAX TEMPERATURE
  5. 290 PSI (2.0 MPa) MAX PRESSURE @150°F (65.6°C) AND NO CORROSION

REV	DATE	ECN NO.	BY
-	-	-	-

MATL	SEE NOTES
MATL ITEM NO	-
MATL DESC	-
FINISH	NONE
CUST NO	-
SIMILAR TO	-
NOM WT (LBS.)	0.606
RFQ NO	-

TOLERANCES	
UNLESS OTHERWISE SPECIFIED	
.XX ±	
.XXX ±	
ALL RADII:	
ANGLES ±	
SURFACE FIN.	
BRK CORNERS	

THIS DOCUMENT CONTAINS INFORMATION PROPRIETARY TO LDI Industries, Inc. AND IS FURNISHED UPON THE EXPRESS CONDITION THAT THE INFORMATION CONTAINED HEREIN WILL NOT BE DISCLOSED TO ANY THIRD PARTY OR USED DIRECTLY OR INDIRECTLY IN ANY WAY DETRIMENTAL TO THE INTEREST OF LDI Industries, Inc.



TITLE **GAGE BMNT 7.00 AL F NBR**

DWG NO./ITEM NO. **G610-07-A-1\_REF**

DRWN DMP	DATE 8/8/12	CHKD DMP	DATE 8/8/12	SHT 1/1	REV -
----------	-------------	----------	-------------	---------	-------

SCALE 1/2 DO NOT SCALE DRAWING