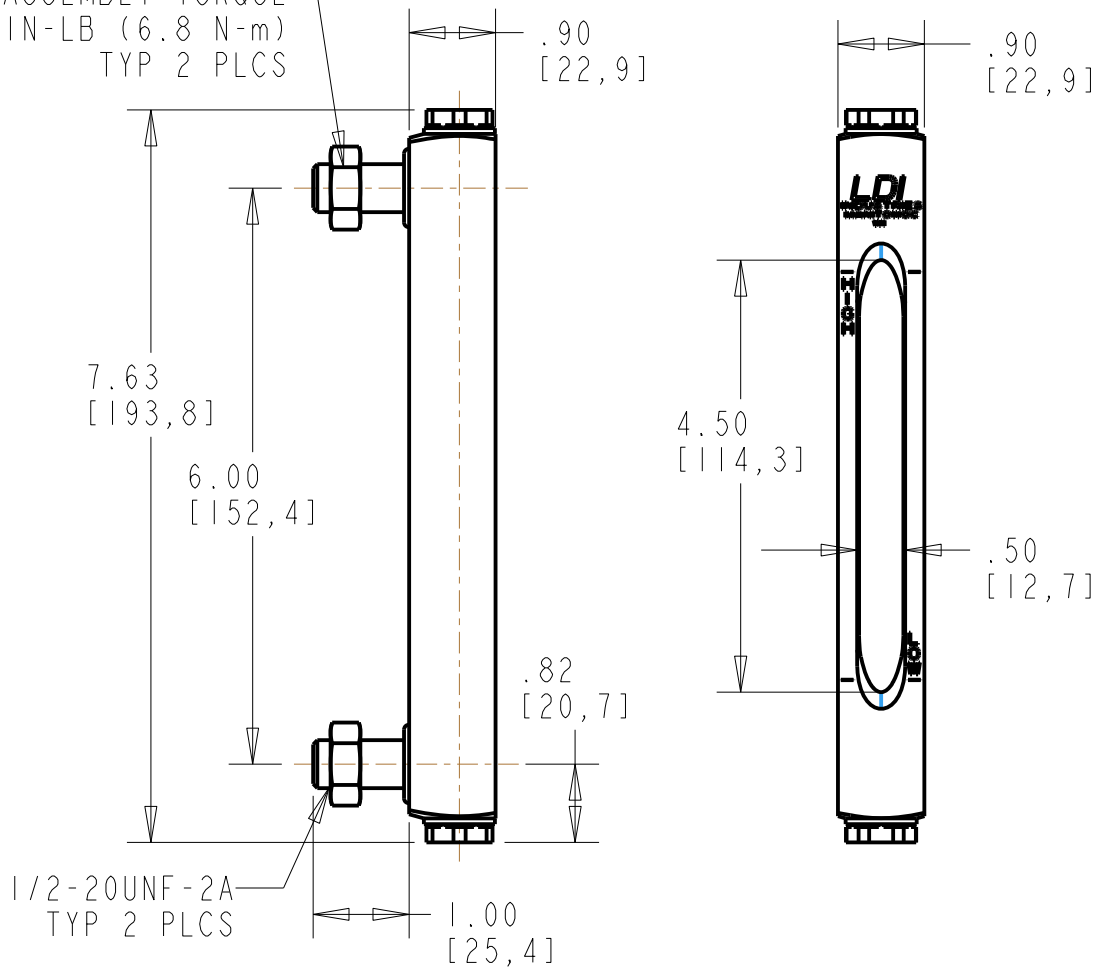


ZINC PLATED LOCKNUT
ASSEMBLY TORQUE
60 IN-LB (6.8 N-m)
TYP 2 PLCS



- NOTES:
1. ALUMINUM CONSTRUCTION
 2. BUNA N SEALS
 3. BOROSILICATE GLASS WITH REDLINE ON WHITE BACKGROUND
 4. 250°F (121.1°C) MAX TEMPERATURE
 5. 290 PSI (2.0 MPa) MAX PRESSURE @150°F (65.6°C) AND NO CORROSION

THIS DOCUMENT CONTAINS INFORMATION PROPRIETARY TO LDI Industries, Inc. AND IS FURNISHED UPON THE EXPRESS CONDITION THAT THE INFORMATION CONTAINED HEREIN WILL NOT BE DISCLOSED TO ANY THIRD PARTY OR USED DIRECTLY OR INDIRECTLY IN ANY WAY DETRIMENTAL TO THE INTEREST OF LDI Industries, Inc.

LDI Industries **LDI INDUSTRIES, INC.**
MANITOWOC, WI HUNTLEY, IL

TITLE **GAGE_BMNT_6.00_AL_F_NBR**

DWG NO./ITEM NO. **G610-06-A-1_REF**

MATERIAL	SEE NOTES	TOLERANCES	ALL DIMENSIONS ARE FOR REF ONLY
FINISH	NONE		
NOM WT (LB)	0.550		
REV	DATE	ECN NO.	BY
-	-	-	-

SCALE	1/2	DO NOT SCALE DRAWING	DRWN	BMK	DATE	04/07/16	CHKD	BMK	DATE	04/07/16	SHT	1/1	REV	-
-------	-----	----------------------	------	-----	------	----------	------	-----	------	----------	-----	-----	-----	---